

With 100/1000 Base-T Magnetics Module

Meets IEEE 802.3 Specification

ROHS peak reflow temperature rating 255°C.

100/1000 Base-T, Surface Mount Type, Open Header.

Operating temperature range: -40°C to +85°C

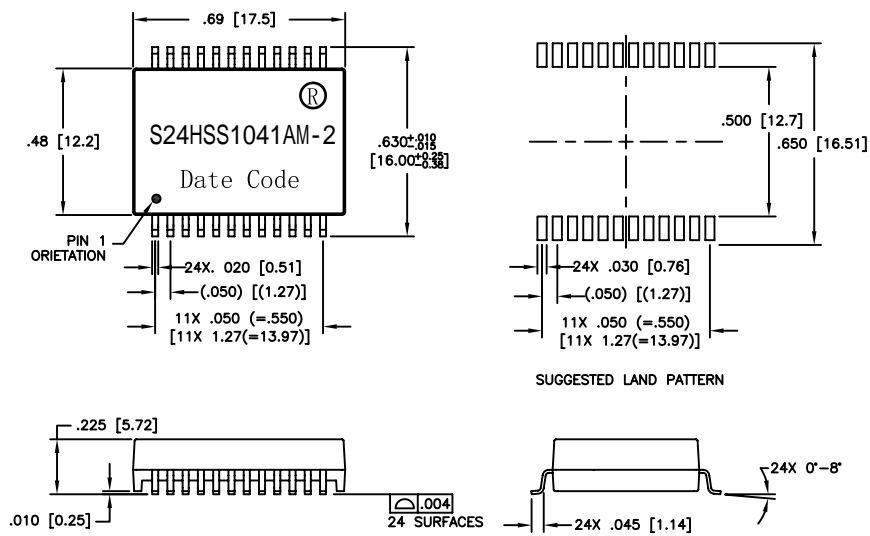
Storage temperature range: -40°C to +125°C



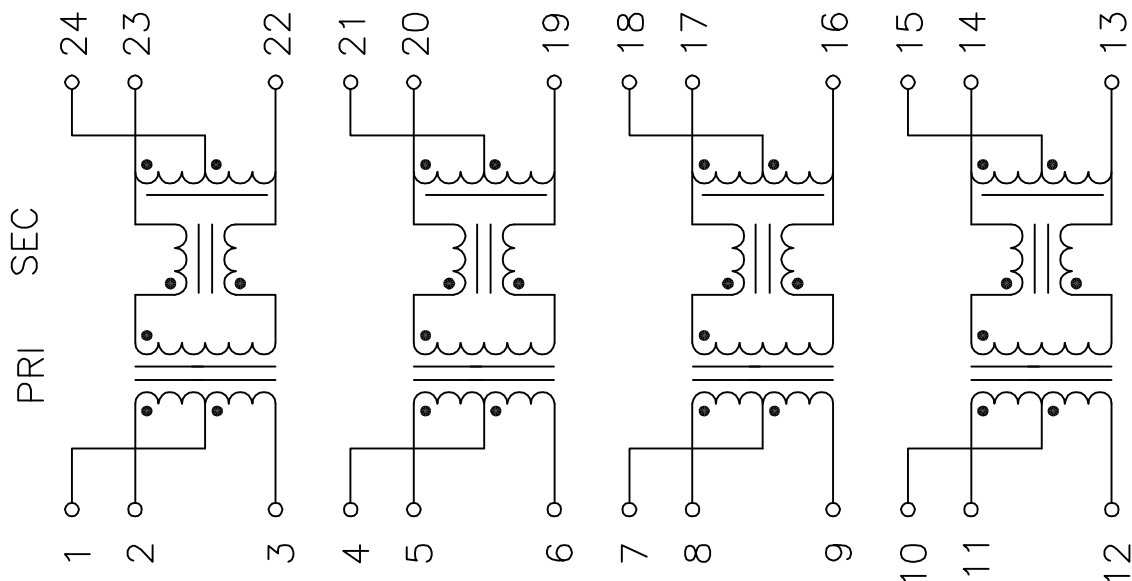
Electrical Specifications 25°C.

OCL(uH Min) 100KHz 0.2V	Turns Ratio	Insertion Loss (dB Max)	Return Loss (dB Min)		Cross talk (dB Min)		CMRR (dB Min)	HI-POT (Vrms)
With 8mA DC Bias	TX=1CT:1CT	0.5-100MHz	0.5-40MHz	40.1-100MHz	0.5-40MHz	40.1-100MHz	0.5-100MHz	0.5-100MHz
350		-1.1	-18	-12+20 * log(f/80)	-35	-33+20 * log(f/50)	-30	1500

Mechanical:



Schematic:



P/N:
S24HSS1041AM-2

Units: mm

Scale: None

Unless otherwise stated
otherwise tolerances as follows:
.XXX ±0.10 .XX ±0.25 .X ± 0.35
ANG ±3°

Rev: A

Page: 1/2

Draw : Kal Date:2010/05/08

Checked : Ansom Date:2010/05/08