

1000 BASE-T PC CARD LAN MAGNETICS SOLUTIONS

P/N: NA0069R LF DATA SHEET

Feature

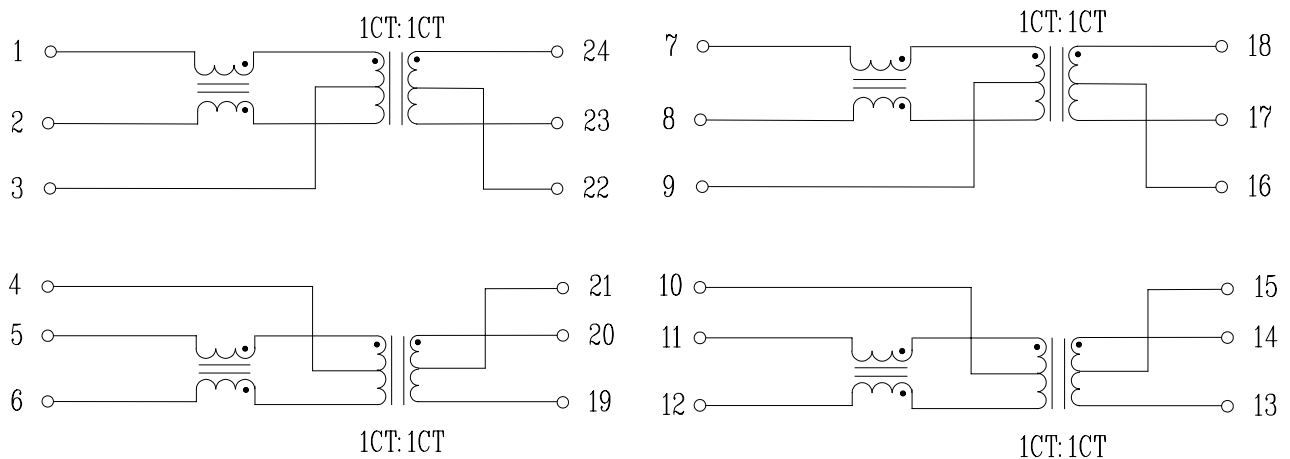


- Half port and single port designs for maximum layout flexibility.
- Compliant with IEEE 802.3ab standard for 1000 BASE-T.
- Comply with ROHS & Halogen Free requirements.
- Operating temperature range: 0 to +70 .
- Storage temperature range: -25 to +85 .

Electrical Specifications @ 25°C						
Part Number	Turns Ratio (±3%)		OCL (uH Min) @100KHz/0.1V	Cw/w (pF Max)	L.L (uH Max)	HI-POT (Vrms)
	TX	RX				
NA0069R LF	1CT:1CT	1CT:1CT	350	25	0.4	1500

Continue								
Part Number	Insertion Loss (dB Max)	Return Loss (dB Min)				Cross talk (dB Min)	DCMR (dB Min)	
		1-30MHz	40-50MHz	60-80MHz	100MHz		1-60MHz	60-100MHz
NA0069R LF	-1.0	-18	-16	-12	-10	-38	-35	-33

Schematic



1000 BASE-T PC CARD LAN MAGNETICS SOLUTIONS

P/N: NA0069R LF DATA SHEET

Mechanical

