

1000 BASE -T MAGNETICS MODULES

P/N: 24HSS1041A-2 HF DATA SHEET

Feature

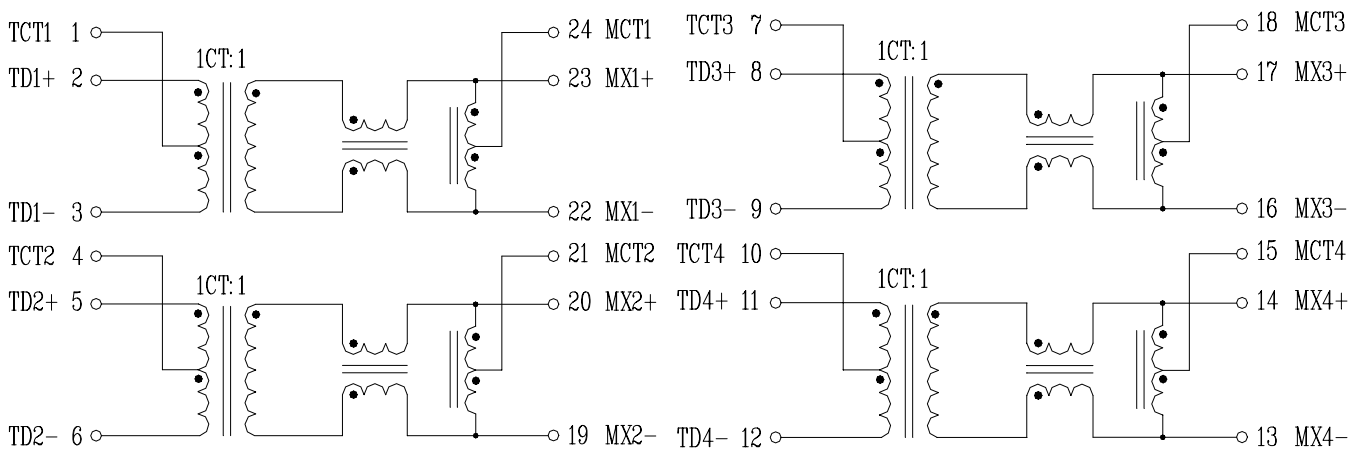


- Designed for long haul gigabit Ethernet 1000 BASE-T, full duplex applications.
- Supports 4 pairs of category UTP-5 cable.
- Cable interface for isolation and low common mode emissions.
- POE applications with 350mA current capability.
- Compliant with IEEE 802.3ab standard for 1000 BASE-T.
- Comply with ROHS & Halogen Free requirements.
- Operating temperature range: 0 to +70 .
- Storage temperature range: -25 to +85 .

Electrical Specifications @ 25°C									
Part Number	Turns Ratio (±5%)	OCL (uH Min) @100KHz/0.1V with 8mA DC Bias	DCR (Max)			Cross talk Attenuation (dB Min)			HI-POT (Vrms)
			PRI	30MHz	60MHz	100MHz			
24HSS1041A-2 HF	1CT:1	350	0.9	-45	-40	-35	1500		

Continue									
Part Number	Insertion Loss (dB Max)	Return Loss (dB Min) @ Load 100					DCMR (dB Min)		
		1-100MHz	1-30MHz	40MHz	50MHz	60-80MHz	100MHz	30MHz	60MHz
24HSS1041A-2 HF	-1.0	-18	-14.4	-13.1	-12	-10	-43	-37	-33

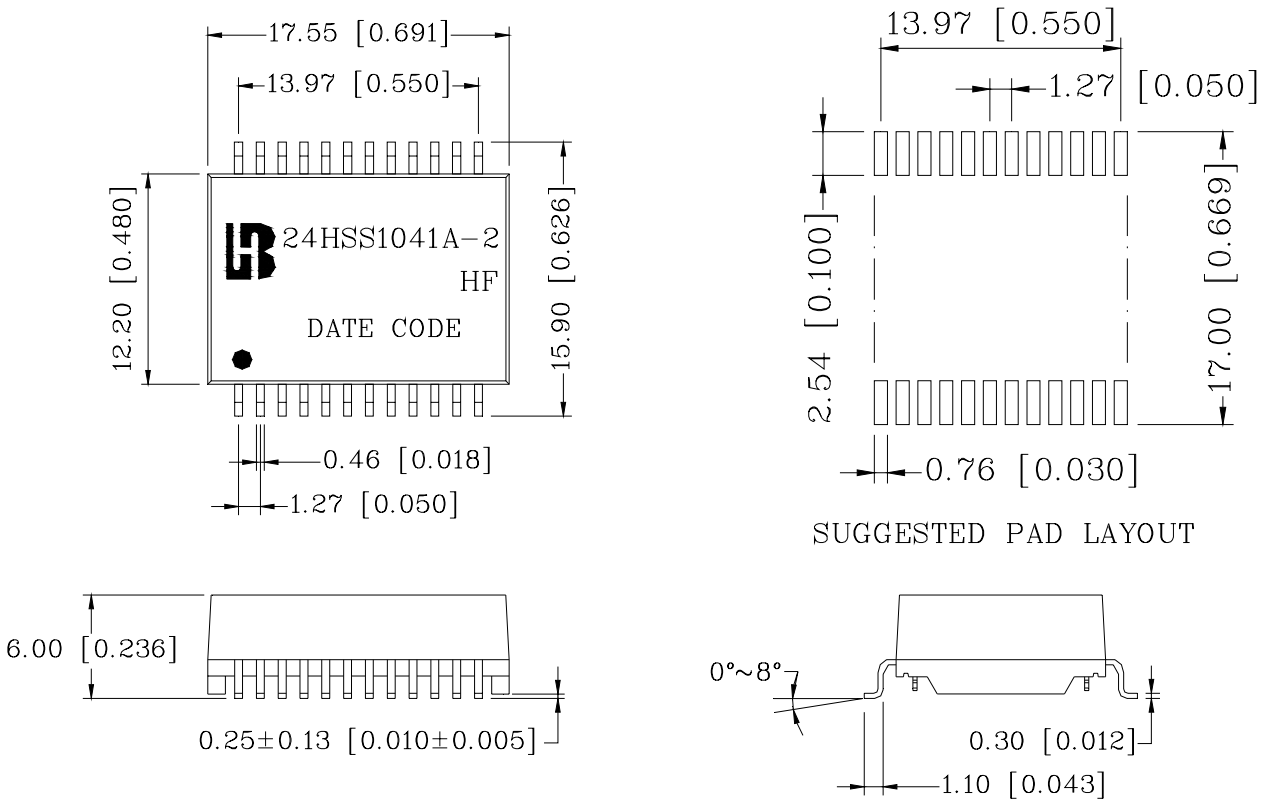
Schematic



1000 BASE -T MAGNETICS MODULES

P/N: 24HSS1041A-2 HF DATA SHEET

Mechanical



Units: mm[Inches] Tolerances: xx.x0±0.25[0.010]
0.xx±0.05[0.002]