

With 10/100 Base-T Magnetics Module

Meets IEEE 802.3 Specification

ROHS peak reflow temperature rating 265°C.

10/100 Base-T, Surface Mount Type, Open Header.

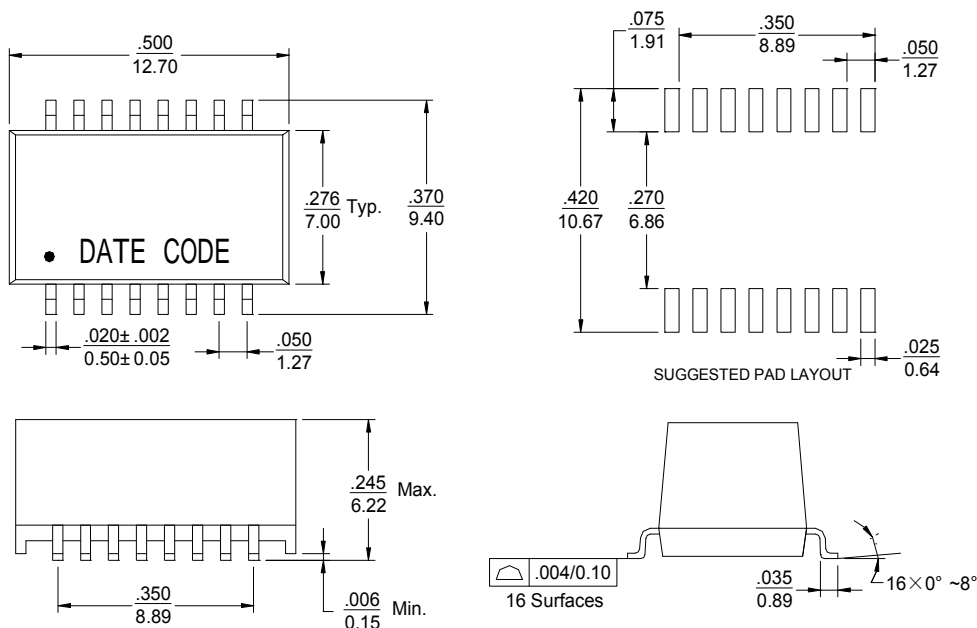
Operating temperature range: -40°C to +85°C

Storage temperature range: -40°C to +125°C

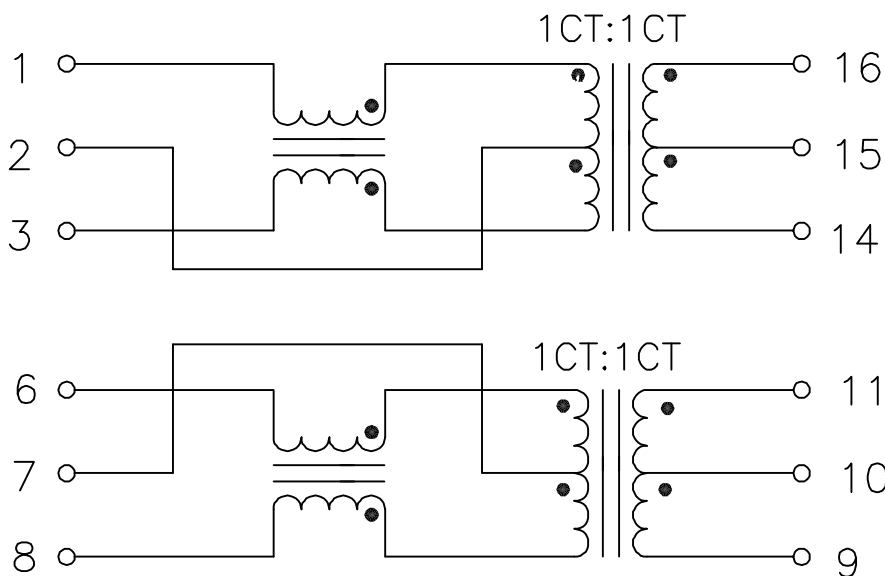
Electrical Specifications 25°C.

| OCL(uH Min) 100KHz 0.2V | Turns Ratio | Insertion Loss (dB Max) | Return Loss (dB Min) | | | | Cross talk (dB Min) | | CMRR (dB Min) | HI-POT (Vrms) |
|----------------------------|-------------|----------------------------|-------------------------|--------------------|------------|-----------|------------------------|------------|------------------|------------------|
| With 8mA DC Bias | TX=1CT:1CT | 0.5-100MHz | 0.5-30MHz | 30.1-60MHz | 60.1-80MHz | 0.5-40MHz | 40.1-100MHz | 0.5-100MHz | 0.5-100MHz | |
| 350 | | -1.1 | -18 | -18+20 * log(f/30) | -12 | -35 | -33+20 * log(f/50) | -30 | 1500 | |

Mechanical:



Schematic:



P/N:
STS6121A

Units: inch
Scale: None

Unless otherwise stated
otherwise tolerances as follows:
.XXX ± 0.10 .XX ± 0.25 .X ± 0.35
ANG ± 3°

Rev: A
Page: 1/1

Draw : Kal Date:2010/05/08
Checked : Ansom Date:2010/05/08
Approved: Ansom Date:2010/05/08