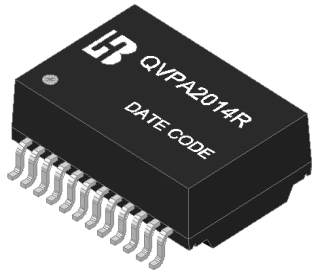


**10/100/1000/2.5G/5G BASE - T
MAGNETICS MODULES
P/N: QVPA2014R DATA SHEET**



Feature



- Design for 2.5G/5G ethernet application.
- Unsupported POE application.
- Complying with ROHS & Halogen Free requirements.
- Operating temperature range: 0°C to +70°C.
- Storage temperature range: -25°C to +85°C.

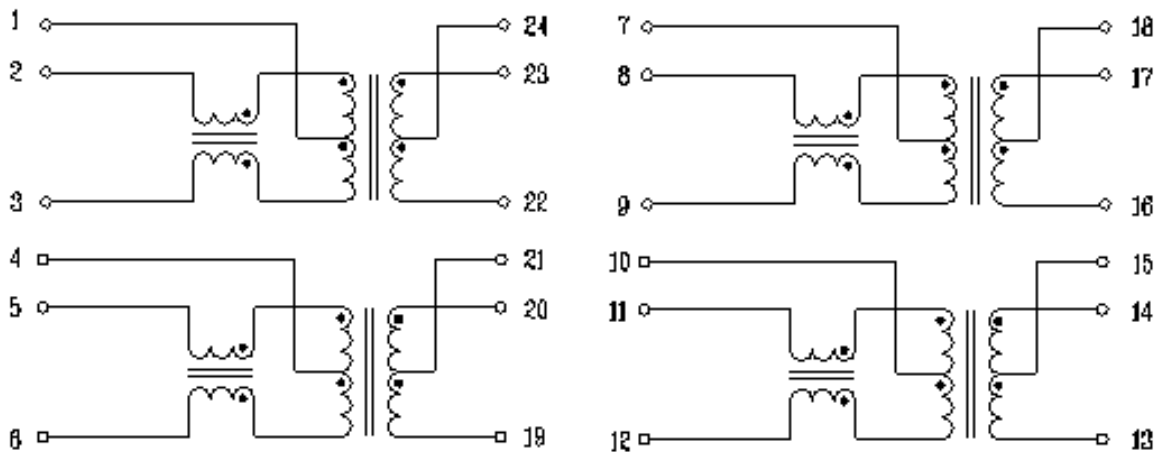
Electrical Specifications @ 25°C

Part Number	Turns Ratio (±5%)	OCL (uH Min) @100KHz/0.1V	Cross talk (dB Min)		HI-POT	
	TX/ RX		$1 \leq f \leq 100 \text{ MHz}$	$100 < f \leq 250 \text{ MHz}$		
QVPA2014R	1CT:1CT	180	$20 \log_{10} \left[10^{\frac{35.3 - 15 \log_{10}(f/100)}{-20}} + 2 \times 10^{\frac{43 - 20 \log_{10}(f/100)}{-20}} \right]$		-30	1500V

Continue

Part Number	Insertion Loss (dB Max)		Return Loss (dB Min) @ Load 100Ω		DCMR (dB Min)	
	$1 \leq f \leq 100 \text{ MHz}$	$100 < f \leq 250 \text{ MHz}$	$1 \leq f \leq 40 \text{ MHz}$	$40 < f \leq 250 \text{ MHz}$	$1 < f \leq 30 \text{ MHz}$	$30 < f \leq 250 \text{ MHz}$
QVPA2014R	-1.0	-2.0	-16	$-(16 - 10 \log_{10}(f/40))$	-48	$-(44 - 19.2 \log_{10}(f/50))$

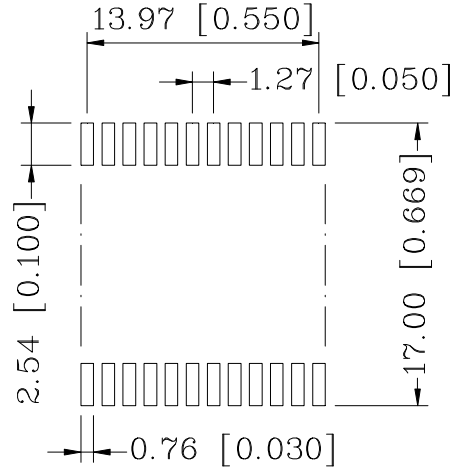
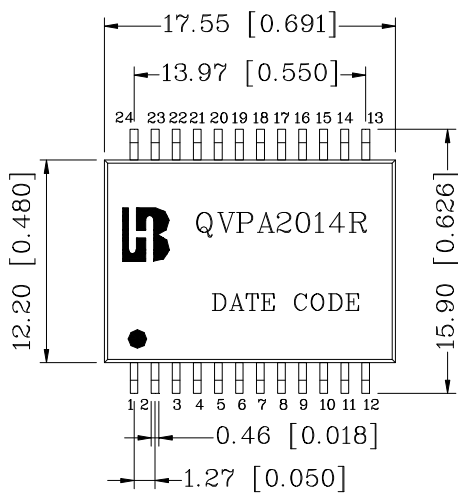
Schematic



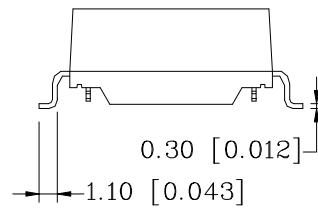
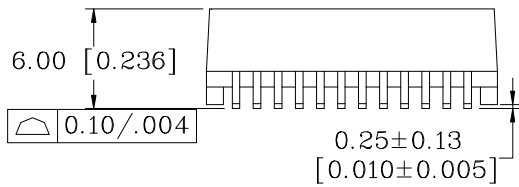
10/100/1000/2.5G/5G BASE - T
MAGNETICS MODULES
P/N: QVPA2014R DATA SHEET



Mechanical



SUGGESTED PAD LAYOUT



Units: mm [Inches] Tolerances: xx.x0 ± 0.25 [0.010]
 0.xx ± 0.05 [0.002]