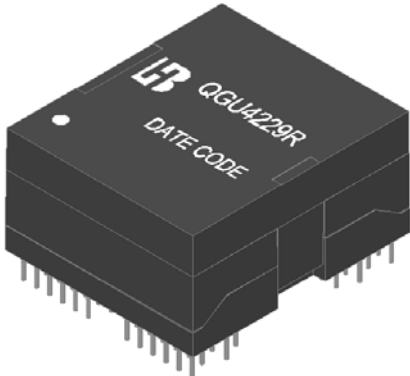


**10/100/1000/2.5G/5G BASE - T
MAGNETICS MODULES
P/N: QGU4229R DATA SHEET**



Feature

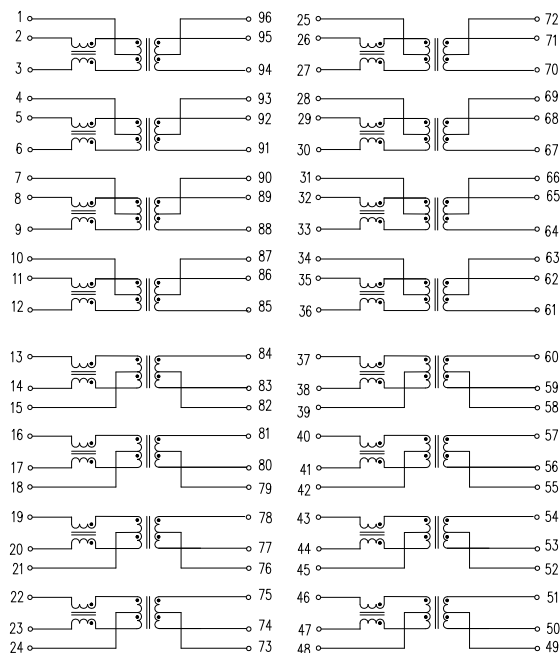


- Design for 2.5G/5G ethernet application.
- Unsupported POE application
- Complying with ROHS requirements.
- Operating temperature range: 0°C to +70°C.
- Storage temperature range: -25°C to +85°C.

| Electrical Specifications @ 25°C | | | | | | |
|----------------------------------|-------------------|------------------------------|--|--------------------------------|--------|-------|
| Part Number | Turns Ratio (±5%) | OCL (uH Min) @100KHz/0.1V | Cross talk (dB Min) | | HI-POT | |
| | TX/ RX | | $1 \leq f \leq 100 \text{ MHz}$ | $100 < f \leq 250 \text{ MHz}$ | | |
| QGU4229R | 1CT:1CT | 180 | $20 \log_{10} \left[10^{\frac{35.3 - 15 \log_{10}(f/100)}{-20}} + 2 \times 10^{\frac{43 - 20 \log_{10}(f/100)}{-20}} \right]$ | | -30 | 1500V |

| Continue | | | | | | |
|-------------|---------------------------------|--------------------------------|----------------------------------|-------------------------------|-----------------------------|--------------------------------|
| Part Number | Insertion Loss (dB Max) | | Return Loss (dB Min) @ Load 100Ω | | DCMR (dB Min) | |
| | $1 \leq f \leq 100 \text{ MHz}$ | $100 < f \leq 250 \text{ MHz}$ | $1 \leq f \leq 40 \text{ MHz}$ | $40 < f \leq 250 \text{ MHz}$ | $1 < f \leq 30 \text{ MHz}$ | $30 < f \leq 250 \text{ MHz}$ |
| QGU4229R | -1.0 | -2.0 | -16 | $-(16 - 10 \log_{10}(f/40))$ | -48 | $-(44 - 19.2 \log_{10}(f/50))$ |

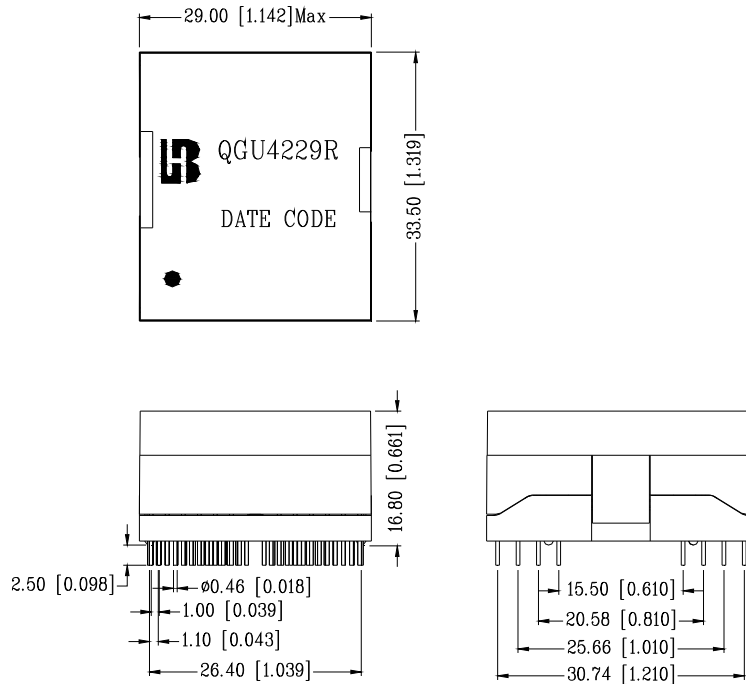
Schematic



**10/100/1000/2.5G/5G BASE - T
MAGNETICS MODULES
P/N: QGU4229R DATA SHEET**

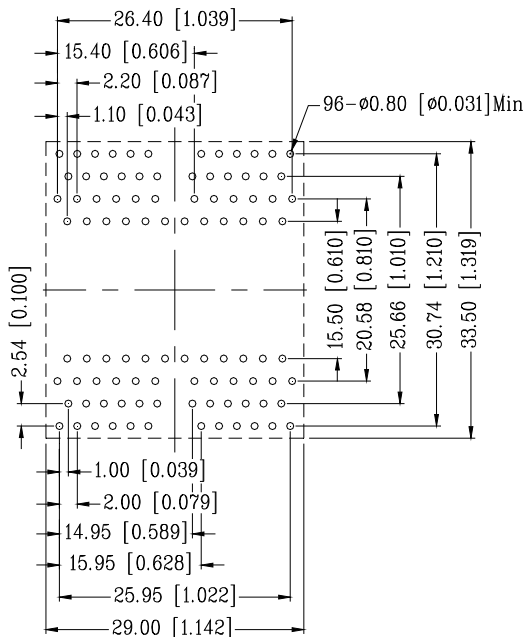


Mechanical

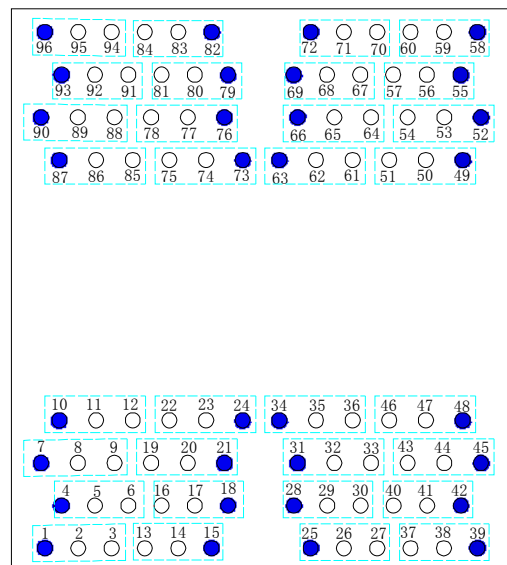


Units: mm [Inches] Tolerance: xx.x0 \pm 0.25 [0.010]
 0.xx \pm 0.05 [0.002]

PCB Layout mounting Hole (Top View)



Unless otherwise specified,
 all dimension tolerance are: ± 0.08 [± 0.003]



Blue : Center Tap